

# **Torsion** X<sup>®</sup>

EXTREME BOLTING FORCE

Hydraulic  
Torque  
Wrenches

**Proven Technology  
That Works**

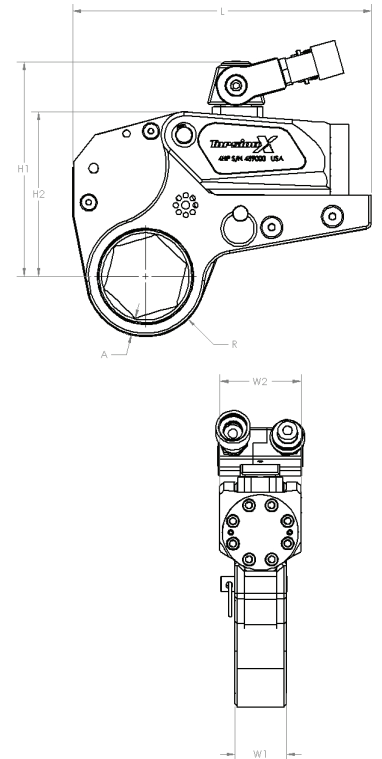


**ISO9001** | **ISO17025**  
CERTIFIED | CERTIFIED

# HEXPRO<sup>®</sup> SERIES

LOW PROFILE  
TORQUE WRENCHES

HEXPRO Series Low Profile Wrenches are essential tools for limited clearance applications. The versatile HEXPRO Series supports an extensive range of interchangeable hexagon ratchet links which deliver a torque range of 162 ft-lbs. to 28,861 ft-lbs. (220 Nm to 39,130 Nm).



## HEXPRO SPECS

Model	2HP		4HP		8HP		14HP		30HP	
Torque (ft-lbs.)	162 - 1,714		439 - 4,500		762 - 8,100		1,245 - 13,443		2,846 - 28,861	
Torque (Nm)	220 - 2,324		595 - 6,101		1,033 - 10,982		1,689 - 18,229		3,858 - 39,130	
Hex Size (Imperial)	3/4" - 2.3/8"		1.5/16" - 3.1/8"		1.1/2" - 3.15/16"		2" - 4.5/8"		3.1/8" - 6.7/8"	
Hex Size (Metric)	19 mm - 60 mm		36 mm - 80 mm		41 mm - 100 mm		50 mm - 115 mm		80 mm - 175 mm	
Power Head	3 lbs	1.36 kg	5 lbs	2.27 kg	8 lbs	3.63 kg	13 lbs	5.90 kg	27 lbs	12.27 kg
Ratchet Link	4 lbs	1.81 kg	9 lbs	4.09 kg	16 lbs	7.27 kg	26 lbs	11.82 kg	70 lbs	31.82 kg
L	7.32"	185.9 mm	9.72"	246.9 mm	11.87"	301.5 mm	14.24"	361.7 mm	17.05"	433.1 mm
H1	5.26"	133.6 mm	7.85"	199.4 mm	8.43"	214.1 mm	9.41"	239.0 mm	12.40"	315.0 mm
H2	4.12"	104.7 mm	5.71"	145.0 mm	6.95"	176.5 mm	8.00"	203.2 mm	11.22"	285.0 mm
W1	1.25"	31.8 mm	1.65"	41.9 mm	2.08"	52.8 mm	2.52"	64.0 mm	3.35"	85.1 mm
W2	2.00"	50.8 mm	2.60"	66.0 mm	3.27"	83.1 mm	3.88"	98.6 mm	5.16"	131.1 mm
A	.390"	9.9 mm	.580"	14.7 mm	.650"	16.5 mm	.740"	18.8 mm	1.010"	25.7 mm
R	1.054"-1.766"	26.8mm - 44.9mm	1.397"- 2.393"	35.5mm-60.8mm	1.882"-2.944"	46.3mm-74.8mm	2.34"-3.416"	59.4mm-86.8mm	3.037"-4.559"	77.1mm-115.8mm

For more information call

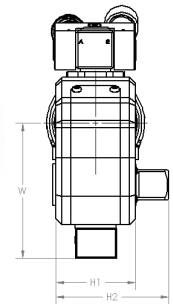
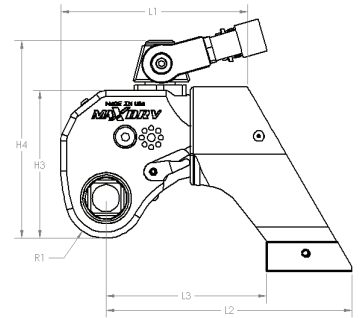
**1.304.744.9489**



# MAXDRV<sup>®</sup> SERIES

## SQUARE DRIVE TORQUE WRENCHES

MAXDRV Series Square Drive Torque Wrenches offer a compact design, constructed of aluminum alloy and high strength steel alloy for increased strength and durability while minimizing the weight. The MAXDRV Series is available in a 64 ft-lbs. to 18,446 ft-lbs. (86 Nm - 25,009 Nm) torque range.



### MAXDRV SPECS

Model	.7MD		1MD		3MD		5MD		10MD		17MD	
Torque (ft-lbs.)	64 - 793		125 - 1,318		270 - 3,167		538 - 5,480		1,050 - 11,206		1,640 - 18,446	
Torque (Nm)	86 - 1,076		169 - 1,787		366 - 4,294		729 - 7,430		1,423 - 15,193		2,223 - 25,009	
Drive	.75"		.75"		1.00"		1.50"		1.50"		2.50"	
Weight	3.2 lbs	1.45 kg	5 lbs	2.27 kg	11 lbs	5.00 kg	18 lbs	8.16 kg	32 lbs	14.51 kg	61 lbs	27.67 kg
L1	3.90"	99.1 mm	4.83"	122.7 mm	6.18"	157.0 mm	7.47"	189.7 mm	9.36"	237.7 mm	10.85"	275.6 mm
L2	5.08"	129.0 mm	6.23"	158.2 mm	8.13"	206.5 mm	9.73"	247.1 mm	12.22"	310.4 mm	14.20"	360.7 mm
L3	3.32"	84.3 mm	4.11"	104.4 mm	5.31"	134.9 mm	6.41"	162.8 mm	8.02"	203.7 mm	9.19"	233.4 mm
H1	1.62"	41.1 mm	1.97"	50.0 mm	2.63"	66.8 mm	3.16"	80.3 mm	3.95"	100.3 mm	4.63"	117.6 mm
H2	2.56"	65.0 mm	2.88"	73.2 mm	3.72"	94.5 mm	4.93"	125.2 mm	5.75"	146.1 mm	6.98"	177.3 mm
H3	3.02"	76.7 mm	3.77"	95.8 mm	4.88"	124.0 mm	5.97"	151.6 mm	7.35"	186.7 mm	8.50"	215.9 mm
H4	4.29"	108.9 mm	4.97"	126.2 mm	6.46"	164.1 mm	7.71"	195.8 mm	9.04"	229.6 mm	10.36"	263.1 mm
W	1.50"	38.1 mm	3.45"	87.6 mm	4.49"	114.1 mm	5.39"	136.9 mm	6.73"	170.9 mm	7.82"	198.6 mm
R1	.83"	21.1 mm	1.04"	26.4 mm	1.31"	33.3 mm	1.63"	41.4 mm	2.03"	51.6 mm	2.32"	58.9 mm

For more information visit

**TorsionX.com**

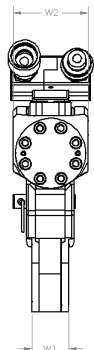
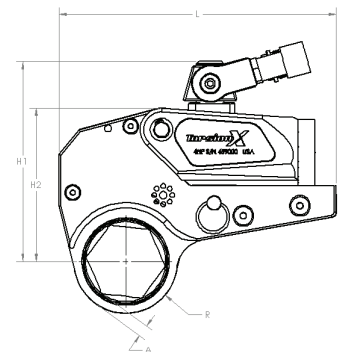


**SERIES**

ULTRA-LOW PROFILE  
TORQUE WRENCHES

The RUFNEX Extra Low Clearance Torque wrenches are essential for limited clearance applications. The RUFNEX Series has many of the same specifications as the Hexpro Series, plus:

- Reduced Width
- Reduced Radius
- Fits Into Tight Locations
- Standard 4HP Power Head Will Operate This Ratchet Link.



**RUFNEX SPECS**

Model	4RN-203		4RN-206		4RN-209	
Hex Size ( A.F. )	2.3/16"	55mm	2.3/8"	60mm	2.9/16"	65mm
Power Head	5 lbs	2.27 kg	5 lbs	2.27 kg	5 lbs	2.27 kg
Ratchet Link	8 lbs	3.63 kg	8 lbs	3.63 kg	8 lbs	3.63 kg
L	9.65"	245.1 mm	9.65"	245.1 mm	9.65"	245.1 mm
H1	6.97"	177.0 mm	6.97"	177.0 mm	6.97"	177.0 mm
H2	5.34"	135.0 mm	5.34"	135.0 mm	5.34"	135.0 mm
W1	1.25"	135.6 mm	1.25"	135.6 mm	1.25"	135.6 mm
W2	2.60"	66.0 mm	2.60"	66.0 mm	2.60"	66.0 mm
A	.412"	10.5 mm	.418"	10.6 mm	.454"	11.5 mm
R	1.685"	42.8 mm	1.796"	45.6 mm	1.95"	49.5 mm

For more information call

**1.304.744.9489**



### XP-115 Multi-Port Power Pack

- Runs Up to Four Hydraulic Torque Wrenches
- Three-Speed High Performance Pump
- External Adjustable Pressure Regulator
- Heavy Duty Roll Cage
- Remote Control Assembly
- Cooling System
- 10,000 PSI / 690 BAR

#### XP-115 Multi-Port Power Pack

115 volts 60 hz.
13.7 amps
1.5 horse power
3450 RPM
Maximum oil flow: 433 cubic inches per minute
2 gallon oil reservoir
Overall dimensions: 11.8" x 14.8" x 17.9"
Weight (without oil): 60 pounds

(available in 220 Volt – 50/60 hz • available in 4-port)



### XP-AIR Multi-Port Power Pack

- Runs Up to Four Hydraulic Torque Wrenches
- Three-Speed High Performance Pump
- External Adjustable Pressure Regulator
- Heavy Duty Roll Cage
- Remote Control Assembly
- 10,000 PSI / 690 BAR

#### XP-AIR Multi-Port Power Pack

3.6 horse power
3000 RPM
Maximum oil flow: 433 cubic inches per minute
2 gallon oil reservoir
Overall dimensions: 11.8" x 14.8" x 17.9"
Weight (without oil): 64 pounds

(available in 4-port)



# ABCART SERIES

The ABCART Series - Extra Low Clearance Torque Wrench are essential for limited clearance applications. The ABCART Series utilizes standard Hexpro Power Heads.

- Open Spanner Links
- Closed Spanner Links
- Fits into Tight Locations



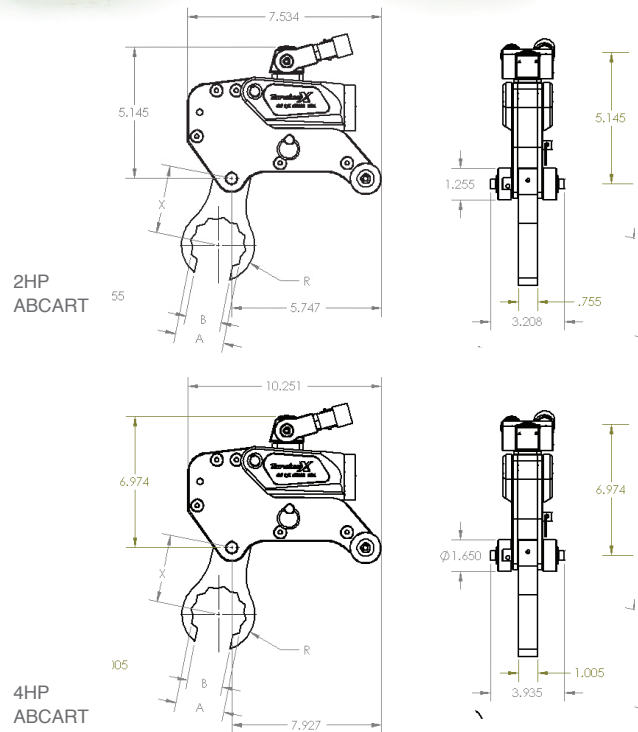
## 2HP ABCART SPECS

OPEN SPANNERS							
	A		B		X		R
2HPAB-102OSL	1.140"	29.0mm	.950"	24.1mm	2.406"	61.1mm	.887" 22.5mm
2HPAB-104OSL	1.260"	32.0mm	1.050"	26.7mm	2.406"	61.1mm	.975" 24.8mm
2HPAB-107OSL	1.185"	30.1mm	1.135"	28.8mm	2.406"	61.1mm	1.166" 29.6mm
2HPAB-110OSL	1.639"	41.6mm	1.200"	30.5mm	2.406"	61.1mm	1.241" 31.5mm
2HPAB-113OSL	1.822"	46.3mm	1.338"	34.0mm	2.406"	61.1mm	1.316" 33.4mm
2HPAB-200OSL	2.015"	51.2mm	1.457"	37.0mm	5.232"	132.9mm	1.516" 38.5mm
2HPAB-203OSL	2.205"	56.0mm	1.582"	40.2mm	5.232"	132.9mm	1.673" 42.5mm
2HPAB-206OSL	2.391"	60.7mm	1.707"	43.4mm	5.232"	132.9mm	1.810" 46.0mm

CLOSED SPANNERS							
	A		B		X		R
2HPAB-102CSL	1.140"	29.0mm	N/A	N/A	2.406"	61.1mm	.887" 22.5mm
2HPAB-104CSL	1.260"	32.0mm	N/A	N/A	2.406"	61.1mm	.975" 24.8mm
2HPAB-107CSL	1.185"	30.1mm	N/A	N/A	2.406"	61.1mm	1.166" 29.6mm
2HPAB-110CSL	1.639"	41.6mm	N/A	N/A	2.406"	61.1mm	1.241" 31.5mm
2HPAB-113CSL	1.822"	46.3mm	N/A	N/A	2.406"	61.1mm	1.316" 33.4mm
2HPAB-200CSL	2.015"	51.2mm	N/A	N/A	5.232"	132.9mm	1.516" 38.5mm
2HPAB-203CSL	2.205"	56.0mm	N/A	N/A	5.232"	132.9mm	1.673" 42.5mm
2HPAB-206CSL	2.391"	60.7mm	N/A	N/A	5.232"	132.9mm	1.810" 46.0mm

## 4HP ABCART SPECS

OPEN SPANNERS							
	A		B		X		R
4HPAB-107OSL	1.447"	36.8mm	1.148"	29.2mm	3.587"	91.1mm	1.202" 30.5mm
4HPAB-110OSL	1.635"	41.5mm	1.273"	32.3mm	3.587"	91.1mm	1.313" 33.4mm
4HPAB-113OSL	1.823"	46.3mm	1.334"	33.9mm	3.587"	91.1mm	1.535" 39.0mm
4HPAB-200OSL	2.010"	51.1mm	1.523"	38.7mm	3.587"	91.1mm	1.585" 40.3mm
4HPAB-203OSL	2.193"	55.7mm	1.621"	41.2mm	3.587"	91.1mm	1.653" 42.0mm
4HPAB-206OSL	2.391"	60.7mm	1.778"	45.2mm	3.587"	91.1mm	1.866" 47.4mm
4HPAB-209OSL	2.582"	65.6mm	1.890"	48.0mm	3.587"	91.1mm	1.931" 49.0mm
4HPAB-212OSL	2.776"	70.5mm	2.023"	51.4mm	3.587"	91.1mm	2.084" 52.9mm
4HPAB-215OSL	2.970"	75.4mm	2.148"	54.6mm	3.587"	91.1mm	2.242" 56.9mm
4HPAB-302OSL	3.165"	80.4mm	2.367"	60.1mm	3.587"	91.1mm	2.560" 65.0mm



CLOSED SPANNERS							
	A		B		X		R
4HPAB-107CSL	1.447"	36.8mm	N/A	N/A	3.587"	91.1mm	1.202" 30.5mm
4HPAB-110CSL	1.635"	41.5mm	N/A	N/A	3.587"	91.1mm	1.313" 33.4mm
4HPAB-113CSL	1.823"	46.3mm	N/A	N/A	3.587"	91.1mm	1.535" 39.0mm
4HPAB-200CSL	2.010"	51.1mm	N/A	N/A	3.587"	91.1mm	1.585" 40.3mm
4HPAB-203CSL	2.193"	55.7mm	N/A	N/A	3.587"	91.1mm	1.653" 42.0mm
4HPAB-206CSL	2.391"	60.7mm	N/A	N/A	3.587"	91.1mm	1.866" 47.4mm
4HPAB-209CSL	2.582"	65.6mm	N/A	N/A	3.587"	91.1mm	1.931" 49.0mm
4HPAB-212CSL	2.776"	70.5mm	N/A	N/A	3.587"	91.1mm	2.084" 52.9mm
4HPAB-215CSL	2.970"	75.4mm	N/A	N/A	3.587"	91.1mm	2.242" 56.9mm
4HPAB-302CSL	3.165"	80.4mm	N/A	N/A	3.587"	91.1mm	2.560" 65.0mm

For more information call  
**1.304.744.9489**



# **XPert** BOLTING CALCULATION SOFTWARE

## **Introducing XPertBCS. The most advanced, cloud-based bolting procedure builder, built from the industry's latest engineering standards.**

XPertBCS is a cloud-based engineering tool which calculates bolt load, determines torque or tension values and then applies them to the assembly procedure based on the latest engineered standards as found in ASME PCC-1-2013 and others.

In a simple three step process, XPertBCS will identify the maximum limit of bolt stress allowable on custom or ANSI flanges and populate this data into an easy-to-read graph that displays limiting factors for the flange size you enter.

XPertBCS provides for the maximum bolt stress allowable without damaging the following components:

### **THE FLANGE**

Based on Finite Element Analysis, XPertBCS catalogs the FEA results of ANSI flanges and uses that data to identify the point at which plastic

deformation or flange rotation will occur. Based on that data, it is compared to the other factors and the recommended bolt stress is safely reduced below that level. The assembly data will be specified as a bolt stress without risk of deflection or mechanical failure.

### **THE BOLTS**

Based on bolt material, XPertBCS determines how much bolt stress can be generated. XPertBCS also takes into account the nut factor, or "K" factor, used when torque is the method used in assembly.

### **THE GASKET**

XPertBCS calculates the gasket stress based on the gasket type selected and the size of the gasket based on ANSI dimensions or custom values the user inputs. XPertBCS calculates gasket stress into bolt stress based on the flange dimensions entered, providing the user with the final limiting factor.

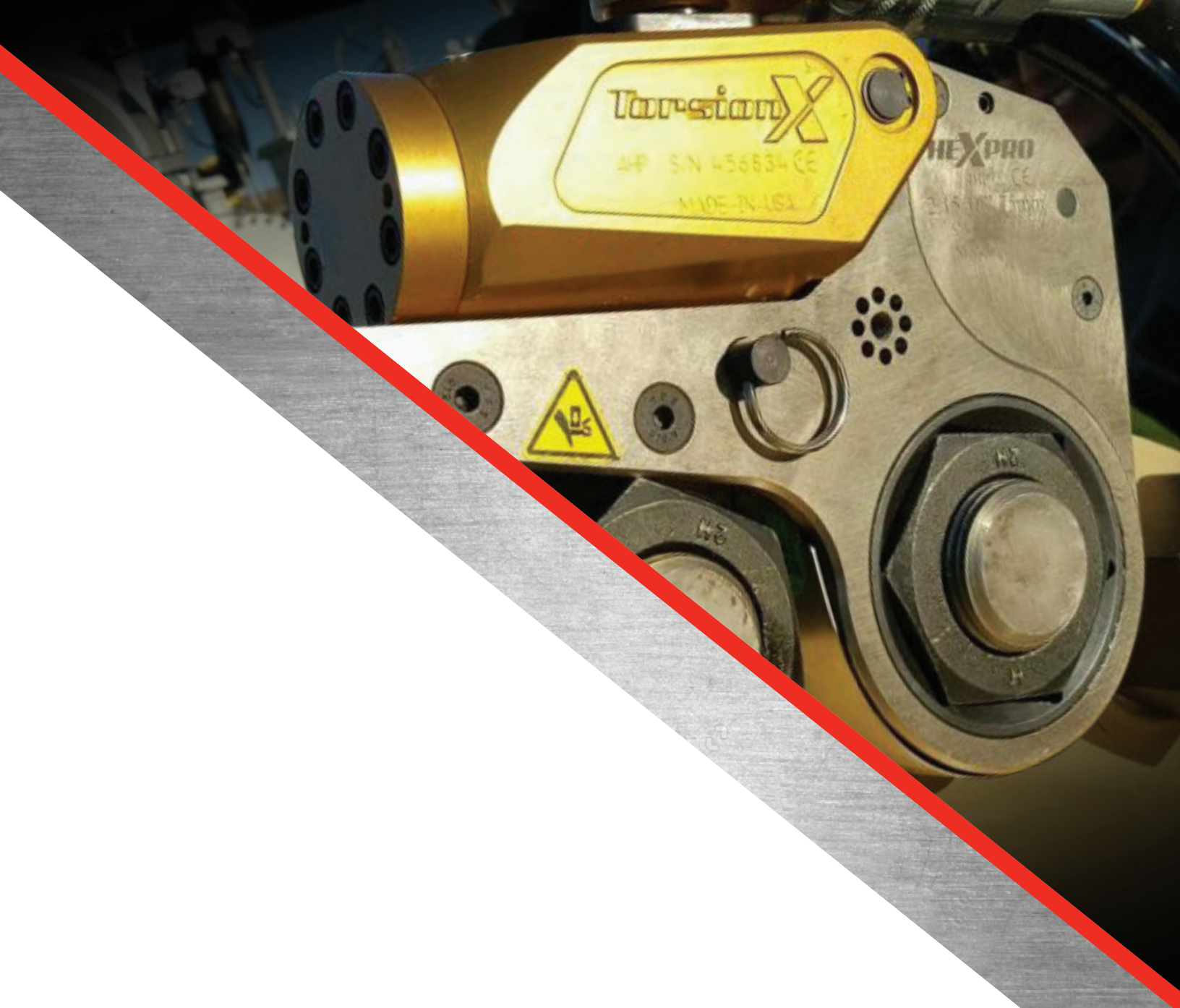
## **FAQs** Frequently Asked Questions

### **What is XPertBCS™?**

XPertBCS is a cloud-based Engineering Tool that calculates Bolt Load, determines torque or tension values and then applies them to an Assembly Procedure based on the latest engineered standards as found in ASME PCC-1-2013 and others.

### **What do you use XPertBCS for?**

We calculate bolt load and catalog flange patterns. XPertBCS determines bolt and gasket stress based on ANSI dimensions. The software allows you to manage your bolt pattern and flange procedures.



**TorsionX**<sup>®</sup>  
EXTREME BOLTING FORCE

TorsionX - Extreme Bolting Force  
P.O. Box 10068  
Charleston, WV 25357  
**1.304.744.9489**  
[www.TorsionX.com](http://www.TorsionX.com)

**ISO9001** | **ISO17025**  
CERTIFIED | CERTIFIED