



HYDRAULIC TORQUE
WRENCH SYSTEMS

HEXPRO[®] SERIES

LOW PROFILE TORQUE WRENCHES

HEXPRO Series Low Profile Wrenches are essential tools for limited clearance applications. The versatile HEXPRO Series supports an extensive range of interchangeable hexagon ratchet links that deliver a torque range of 162 ft-lbs. to 28,861 ft-lbs.



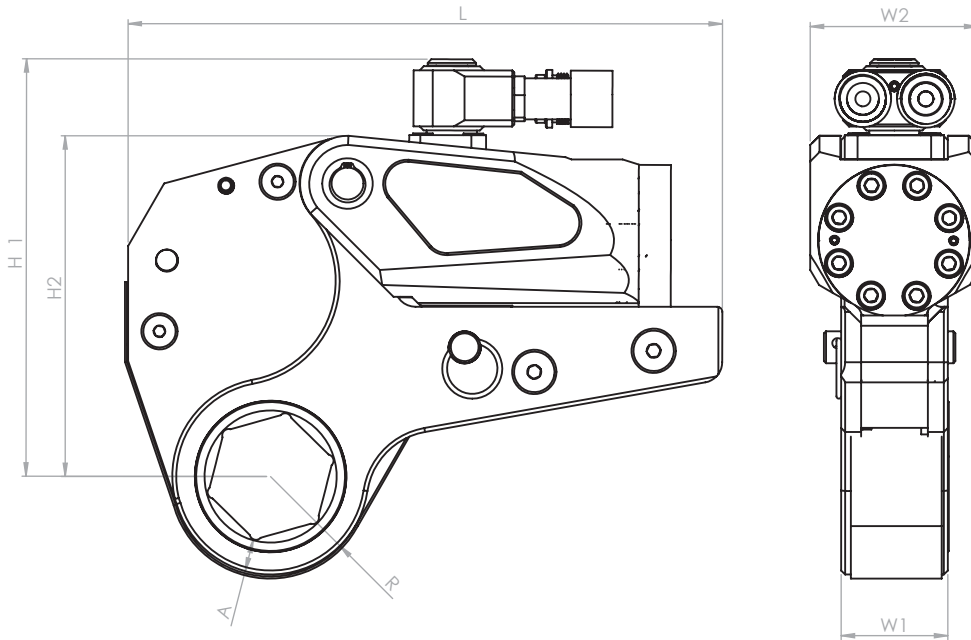
1.844.826.5846

TorsionX.com

SPECIFICATIONS

HEXPRO[®] SERIES LOW PROFILE TORQUE WRENCHES

| Model | 2HP | | 4HP | | 8HP | | 14HP | | 30HP | |
|---------------------|---------------|----------|------------------|----------|-------------------|----------|----------------|----------|-----------------|----------|
| Torque (Ft-Lbs.) | 162 - 1,714 | | 439 - 4,500 | | 762 - 8,100 | | 1,245 - 13,443 | | 3,050 - 28,861 | |
| Torque (Nm) | 220 - 2,324 | | 595 - 6,101 | | 1,033 - 10,982 | | 1,689 - 18,229 | | 4,135 - 39,130 | |
| Hex Size (Imperial) | 3/4" - 2.3/8" | | 1.5/16" - 3.1/8" | | 1.1/2" - 3.15/16" | | 2" - 4.5/8" | | 3.1/8" - 6.7/8" | |
| Hex Size (Metric) | 19 mm - 60 mm | | 36 mm - 80 mm | | 41 mm - 100 mm | | 50 mm - 115 mm | | 80 mm - 175 mm | |
| Power Head | 3 lbs | 1.36 kg | 5 lbs | 2.27 kg | 8 lbs | 3.63 kg | 13 lbs | 5.90 kg | 27 lbs | 12.27 kg |
| Ratchet Link | 4 lbs | 1.81 kg | 9 lbs | 4.09 kg | 16 lbs | 7.27 kg | 26 lbs | 11.82 kg | 70 lbs | 31.82 kg |
| L | 7.32" | 185.9 mm | 9.72" | 246.9 mm | 11.87" | 301.5 mm | 14.24" | 361.7 mm | 17.05" | 433.1 mm |
| H1 | 5.26" | 133.6 mm | 7.85" | 199.4 mm | 8.43" | 214.1 mm | 9.41" | 239.0 mm | 12.40" | 315.0 mm |
| H2 | 4.12" | 104.7 mm | 5.71" | 145.0 mm | 6.95" | 176.5 mm | 8.00" | 203.2 mm | 11.22" | 285.0 mm |
| W1 | 1.25" | 31.8 mm | 1.65" | 41.9 mm | 2.08" | 52.8 mm | 2.52" | 64.0 mm | 3.35" | 85.1 mm |
| W2 | 2.00" | 50.8 mm | 2.60" | 66.0 mm | 3.27" | 83.1 mm | 3.88" | 98.6 mm | 5.16" | 131.1 mm |



TorsionX
EXTREME BOLTING FORCE

1.844.826.5846

TorsionX.com